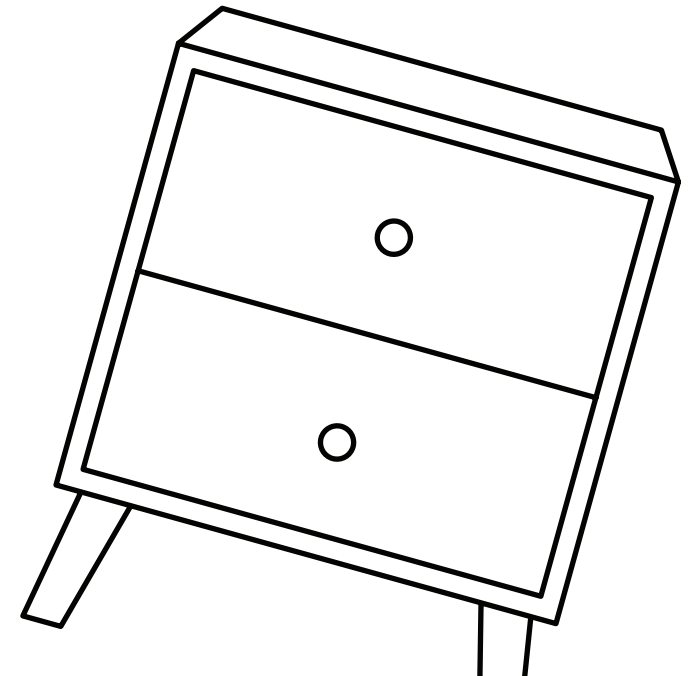
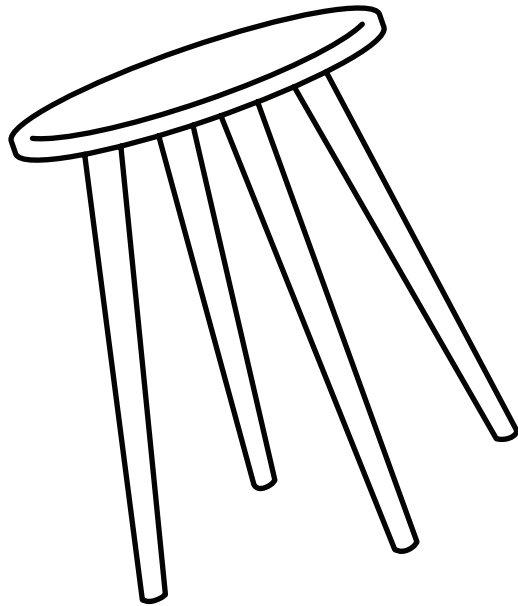


Hello,  
I've arrived!

Now that I'm here you are only one  
flat-pack away from transforming  
your home.



**Mocka.**

# Thank you for supporting us.

We believe design belongs to everyone. From materials and processes to safety testing, production and delivery, we are passionate and committed to bringing you the best possible product so you can create beautifully functional spaces to feel comfortably you.

Here are a few assembly tips before you get started:



## Make Time

The first step to all seamless assembly is taking a moment to carefully read through the instructions—you are already on your way to creating a beautifully functional space!



## Set The Mood

Put on your favourite playlist, order that pizza and pour yourself a drink to get in the mood!



## Tool Check

Layout the instructions, screws and panels to check you have everything you need. A blanket or soft floor rug will help protect your new favourite item from scratches and a drill will speed up the assembly too!



## Room Reveal

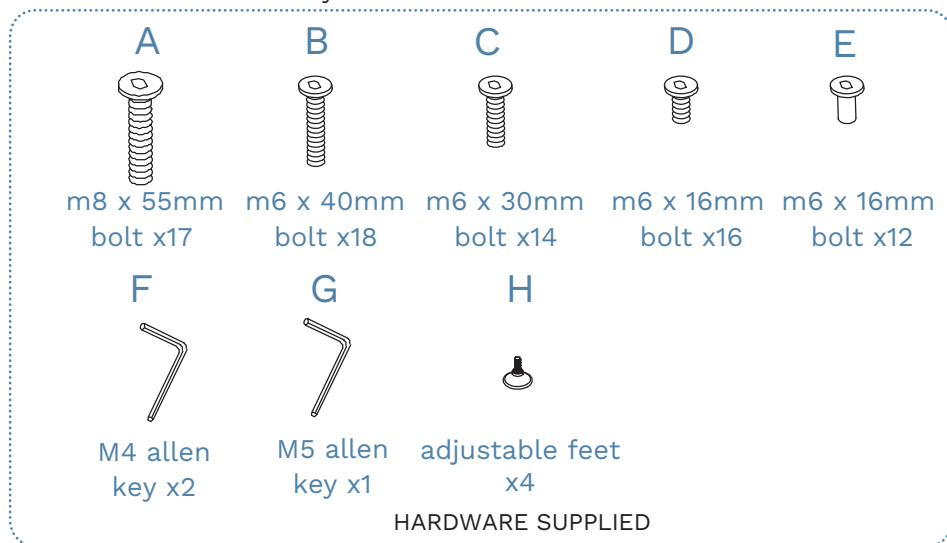
You did it! Take a step back and enjoy the moment. Don't forget to recycle any packaging and share a pic of your room reveal - we love seeing how you transform your home! Tag us @mockaaustralia/@mockaanz

Happy flat-packing!

*The Mocka Team*

# Lacie Metal Loft Bed with Desk

Thank you for purchasing Lacie Metal Loft Bed with Desk. Please follow the manufacturer's assembly instructions in detail.



**WARNING:** Falls from elevated beds can be fatal and deaths have occurred where children have fallen from elevated beds. This is relevant for all ages. The risk is greater for younger children.

The risk of injury or death from a fall from an elevated bed compared to a non-elevated bed is:

10x greater for 7-8 year olds

7x greater for 9-10 year olds

3x greater for 11-12 year olds

## IMPORTANT STATEMENT

1. Children should be discouraged from playing on the bunk bed.
2. The bunk bed should be checked periodically to ensure that the guardrail, access device and other components are maintained in the correct position and state of repair and that all connectors are tight.

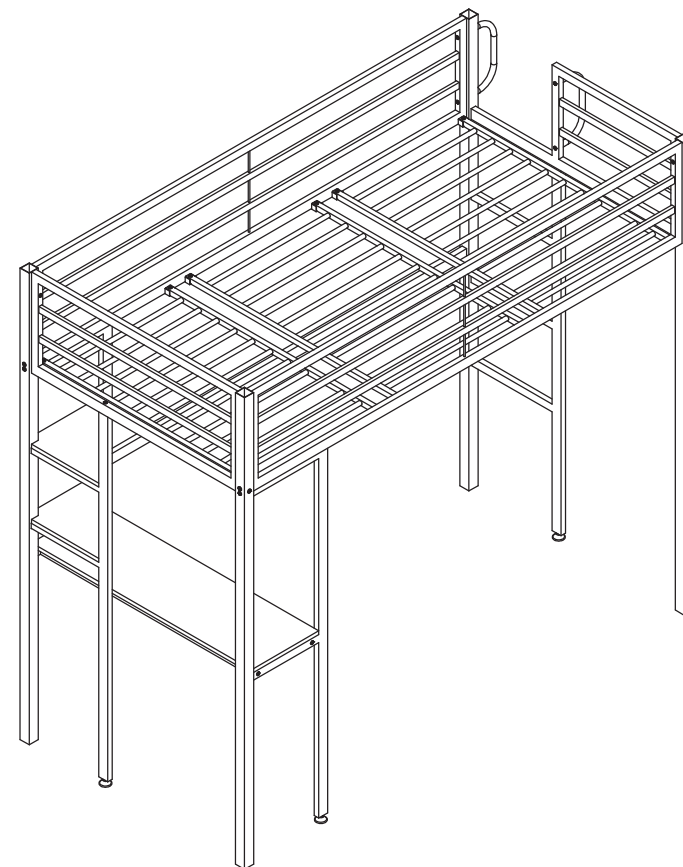
**WARNING:** THE UPPER BUNK MUST BE MORE THAN 2 METRES FROM ANY CEILING FAN

LIFT THE BED INTO PLACE, DO NOT DRAG, AS THIS CAN CAUSE DAMAGE

mocka.co.nz | mocka.com.au | PO Box 18, Pinkenba QLD 4008

## \* IMPORTANT NOTICE \*

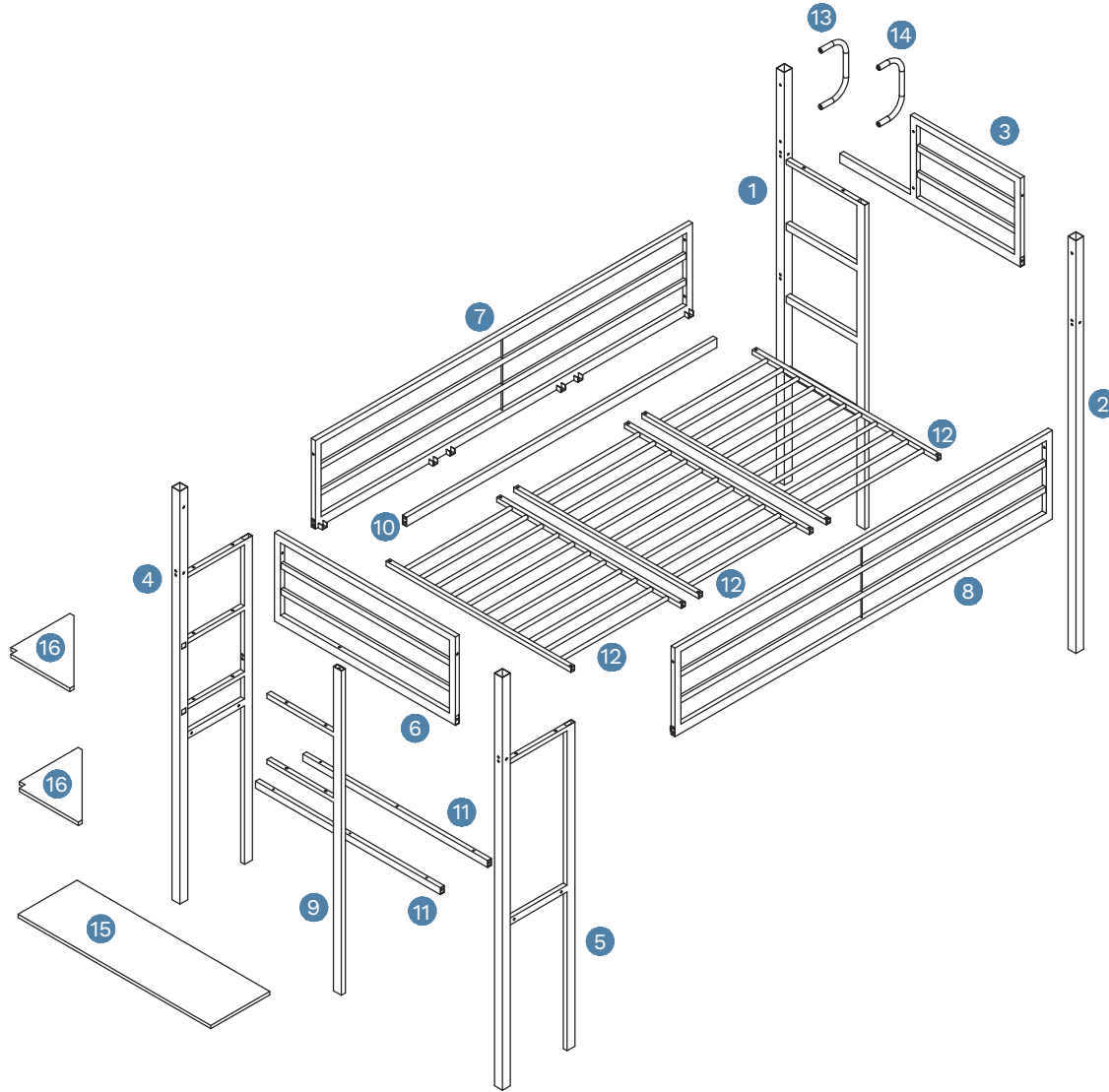
When moving the bed, please lift off the ground with two people, DO NOT drag, push or pull the bed across the floor, as this can result in damage to the supporting leg.



TOP BUNKS AND ELEVATED BEDS ARE DANGEROUS AND ARE NOT RECOMMENDED FOR CHILDREN UNDER THE AGE OF 9

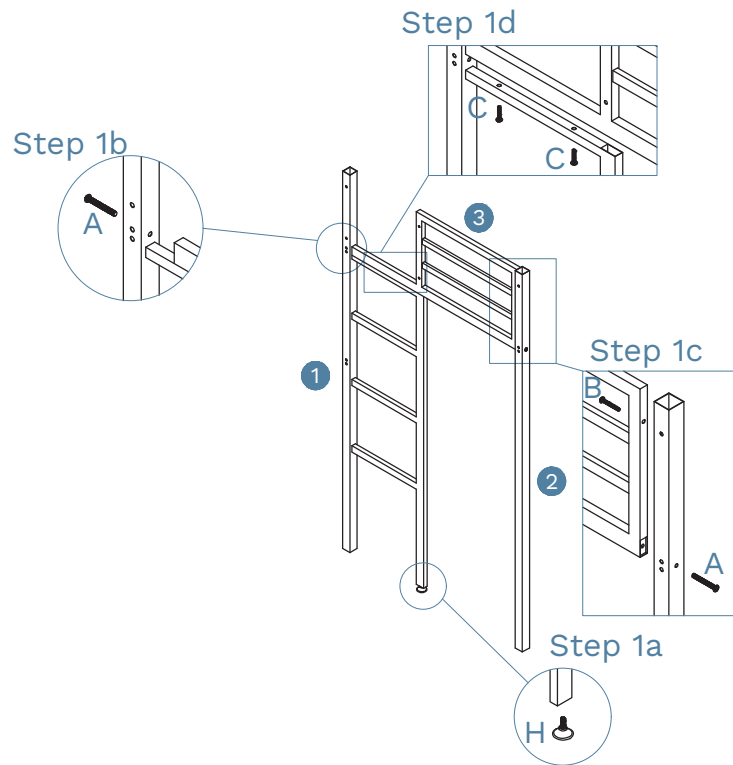
# Mocka.

# Lacie Metal Loft Bed with Desk



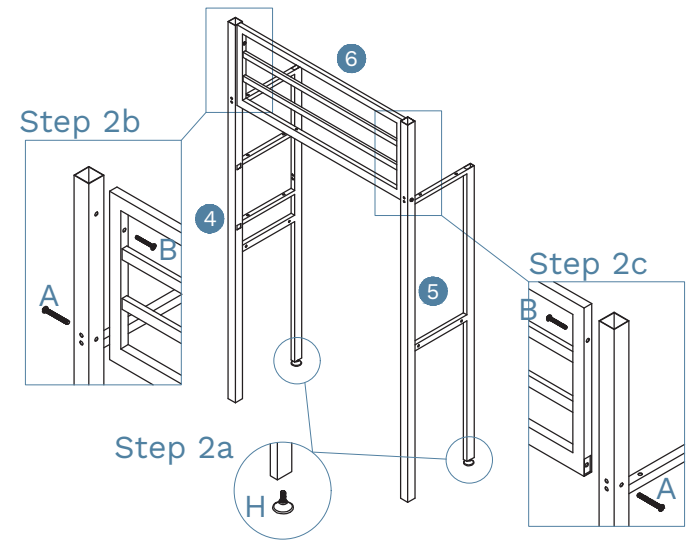
# Lacie Metal Loft Bed with Desk

1



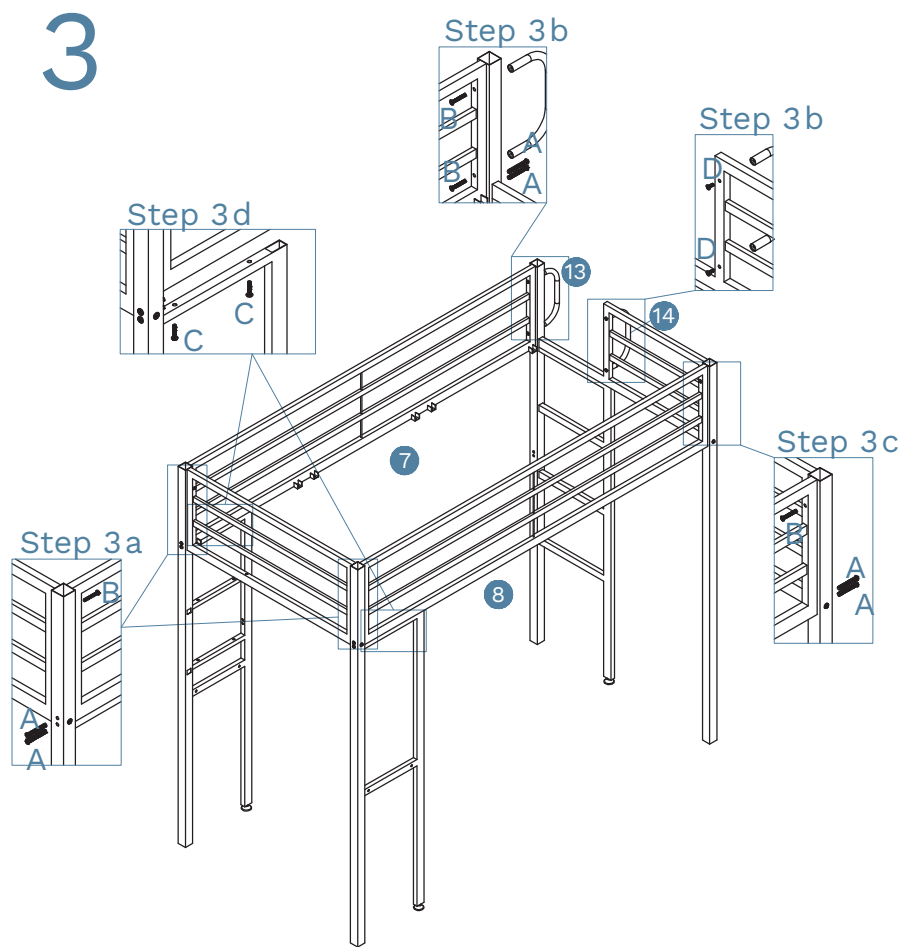
- Step 1a:** Attach 1 x adjustable feet (H) into panel as shown.
- Step 1b:** Attach 1 x bolt (A) into panel (1) as shown.
- Step 1c:** Attach 1 x bolt (A) and 1 x bolt (B) into panel as shown.
- Step 1d:** Attach 2 x bolts (C) into panel as shown.

2

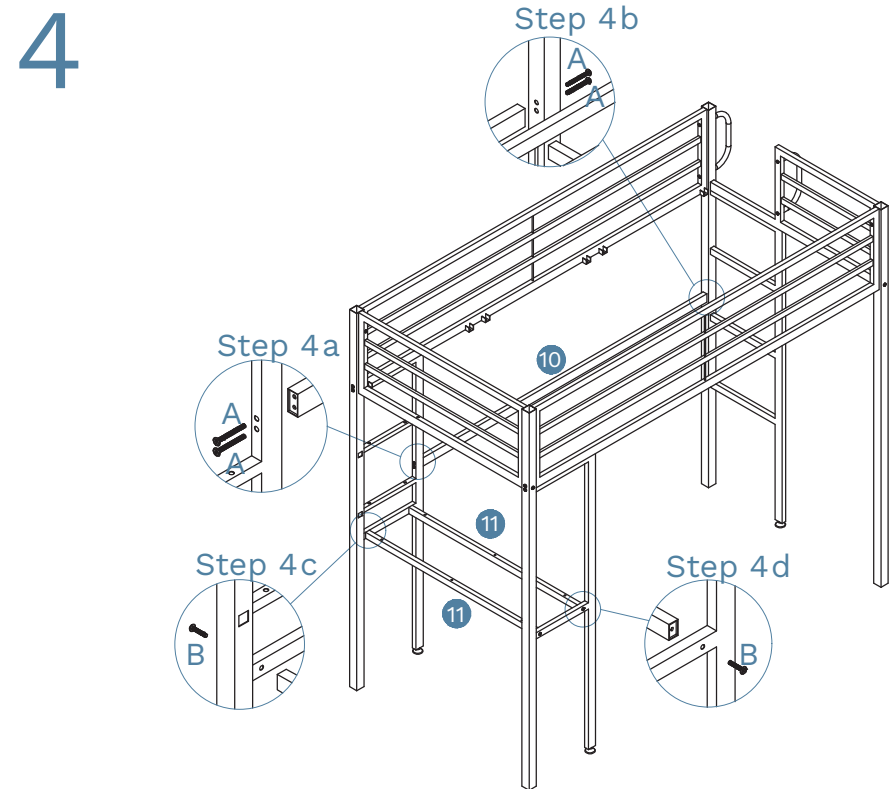


- Step 2a:** Attach 1 x adjustable feet (H) into panel as shown.
- Step 2b:** Attach 1 x bolt (A) and 1 x bolt (B) into panel as shown.
- Step 2c:** Attach 1 x bolt (A) and 1 x bolt (B) into panel as shown.

# Lacie Metal Loft Bed with Desk



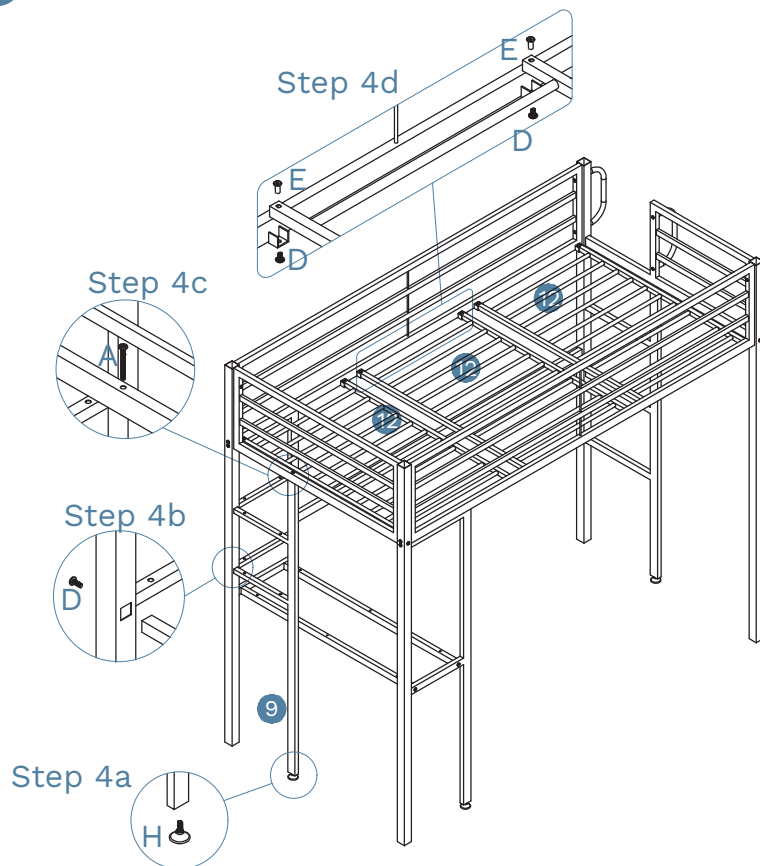
- Step 3a:** Attach 2 x bolts (A) and 1 x bolt (B) into panel as shown.
- Step 3b:** Attach 2 x bolts (A), 2 x bolts (B) and 2 x bolts (D) into panels as shown.
- Step 3c:** Attach 2 x bolts (A) and 1 x bolt (B) into panel as shown.
- Step 3d:** Attach 2 x bolts (C) into panel as shown.



- Step 4a:** Attach 2 x bolts (A) into panel as shown.
- Step 4b:** Attach 2 x bolts (A) into panel as shown.
- Step 4c:** Attach 1 x bolt (B) into panel as shown.
- Step 4d:** Attach 1 x bolt (B) into panel as shown.

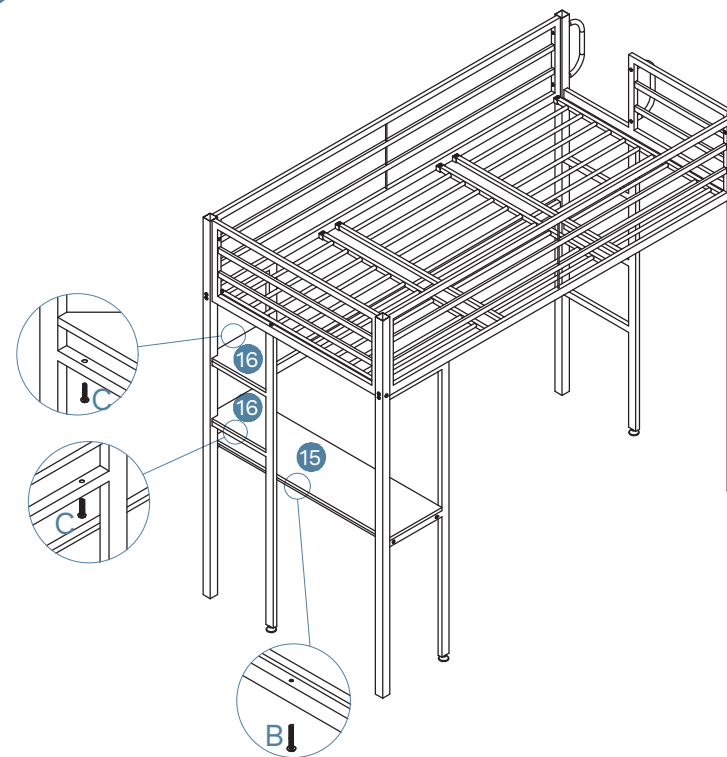
# Lacie Metal Loft Bed with Desk

5



- Step 4a:** Attach 1 x adjustable feet (H) into panel as shown.
- Step 4b:** Attach 1 x bolt (D) into panel as shown.
- Step 4c:** Attach 1 x bolt (A) into panel as shown.
- Step 4d:** Attach 2 x bolts (D) and 2 x bolts (E) into panel as shown.

6



Attach 1 x bolt (B) to panel (15) and 2 x bolts (C) to panels (16) as shown. Once assembled lift furniture into place, do not drag. Ensure unit is balanced and steady before use. You're done, enjoy!